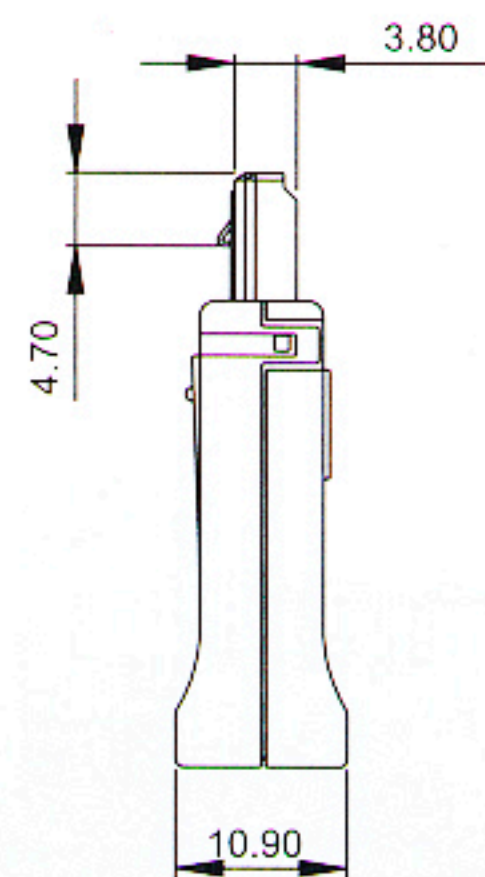
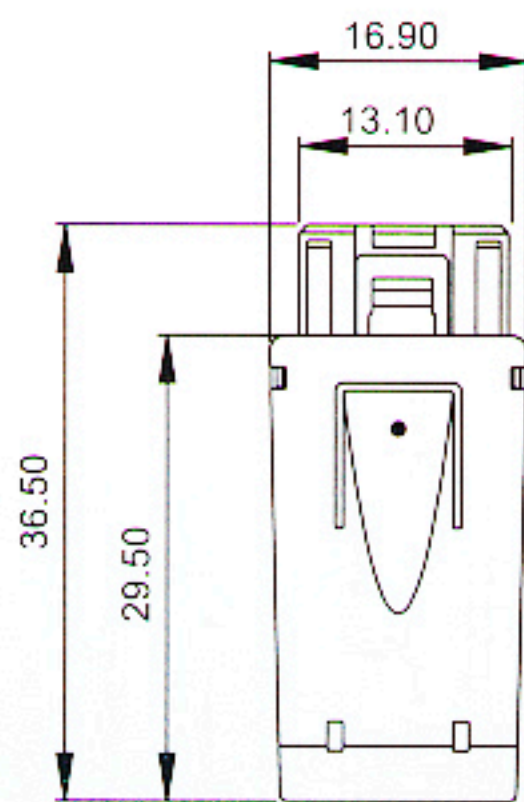
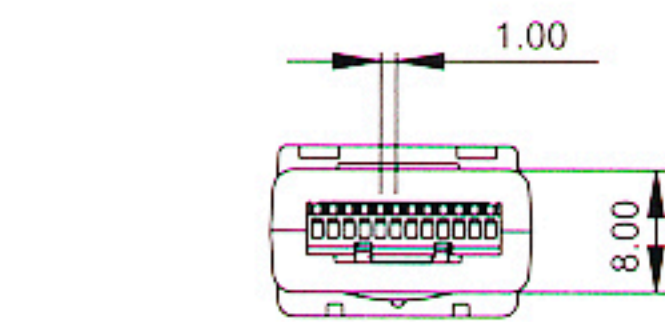


MCSM-C25*21M



- Contact range: 12 positions
- Contact pitch: 1.00 mm
- Current rating: 1.0 A
- Insulation resistance: 1000 MΩ at 250 VDC
- Operating temperature range: -20°C ~ +80°C
- Durability: over 5000 cycles